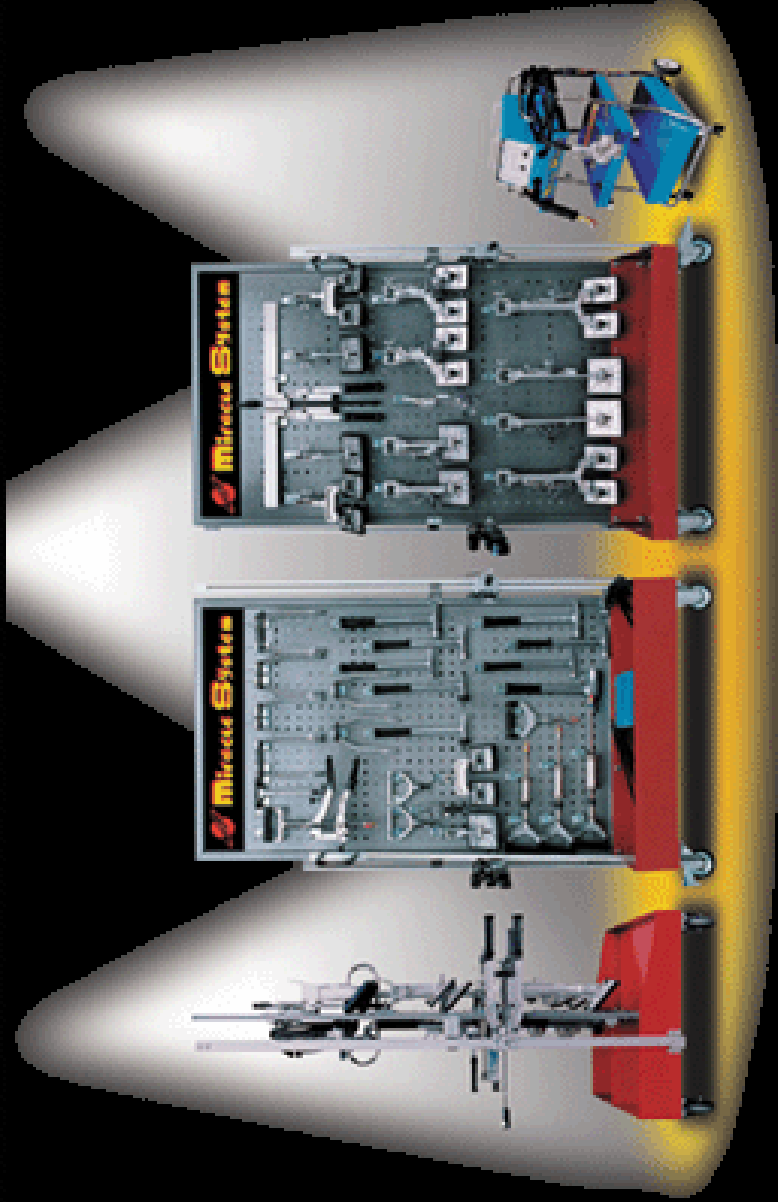
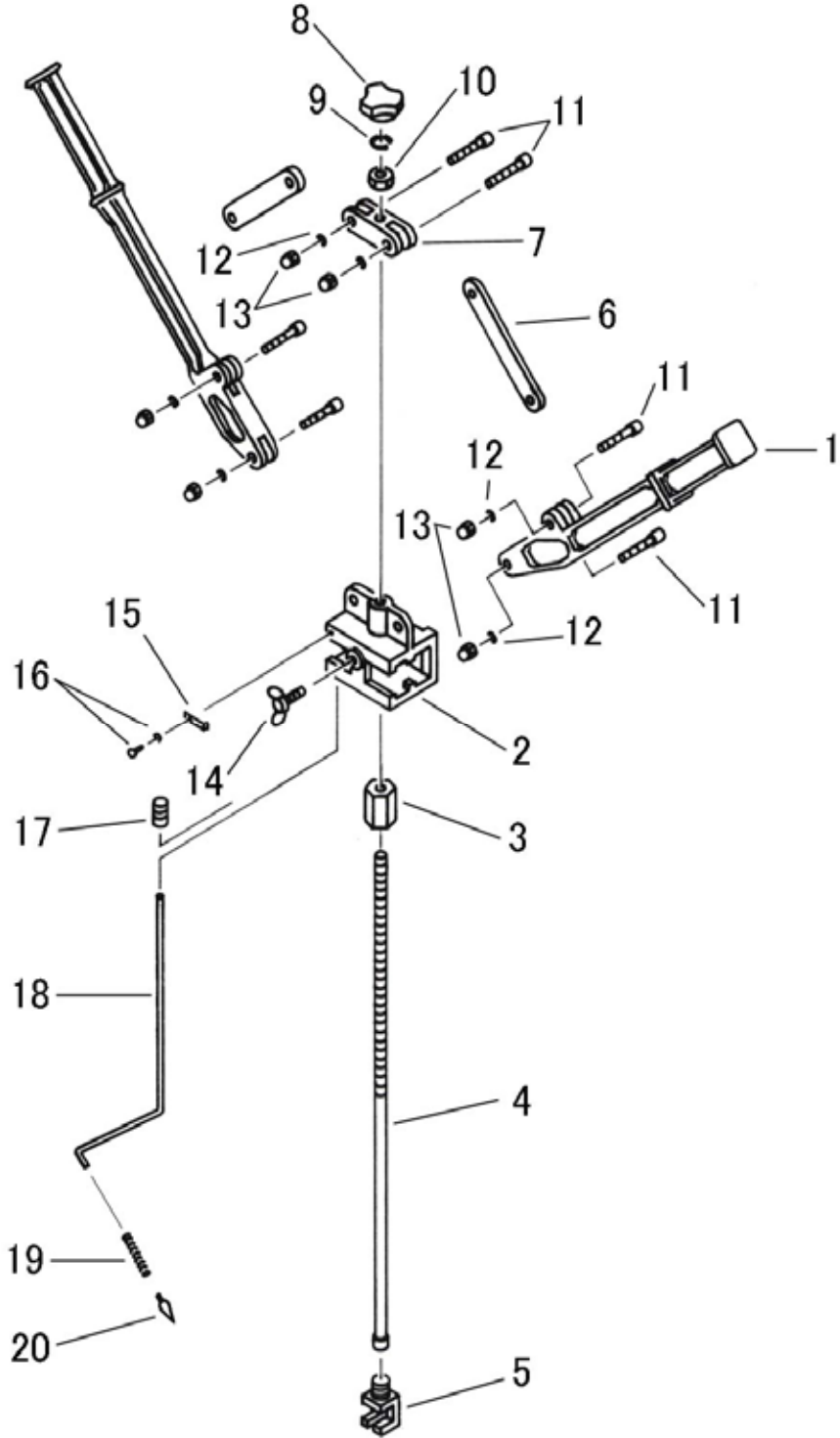


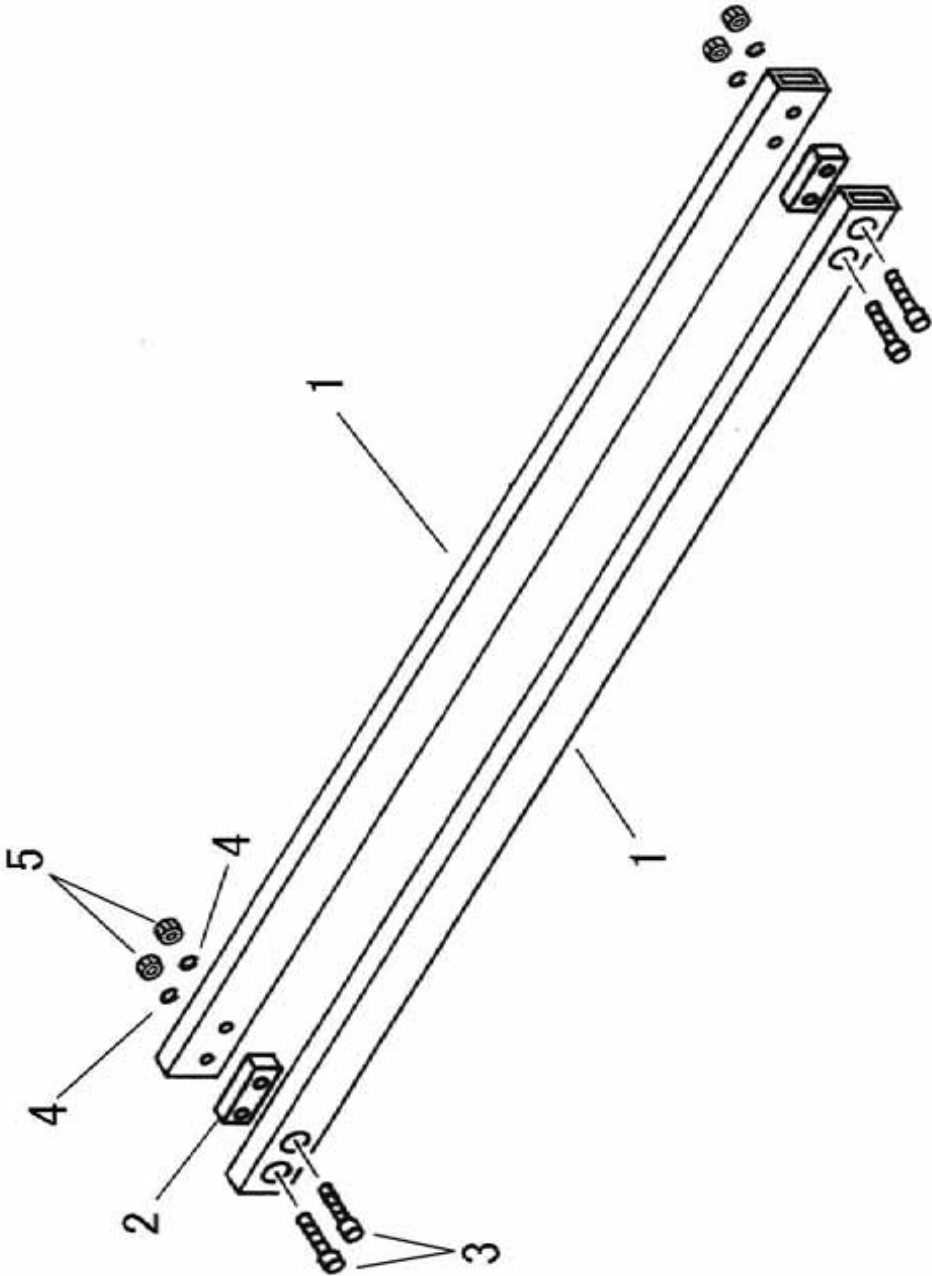
Miracle System



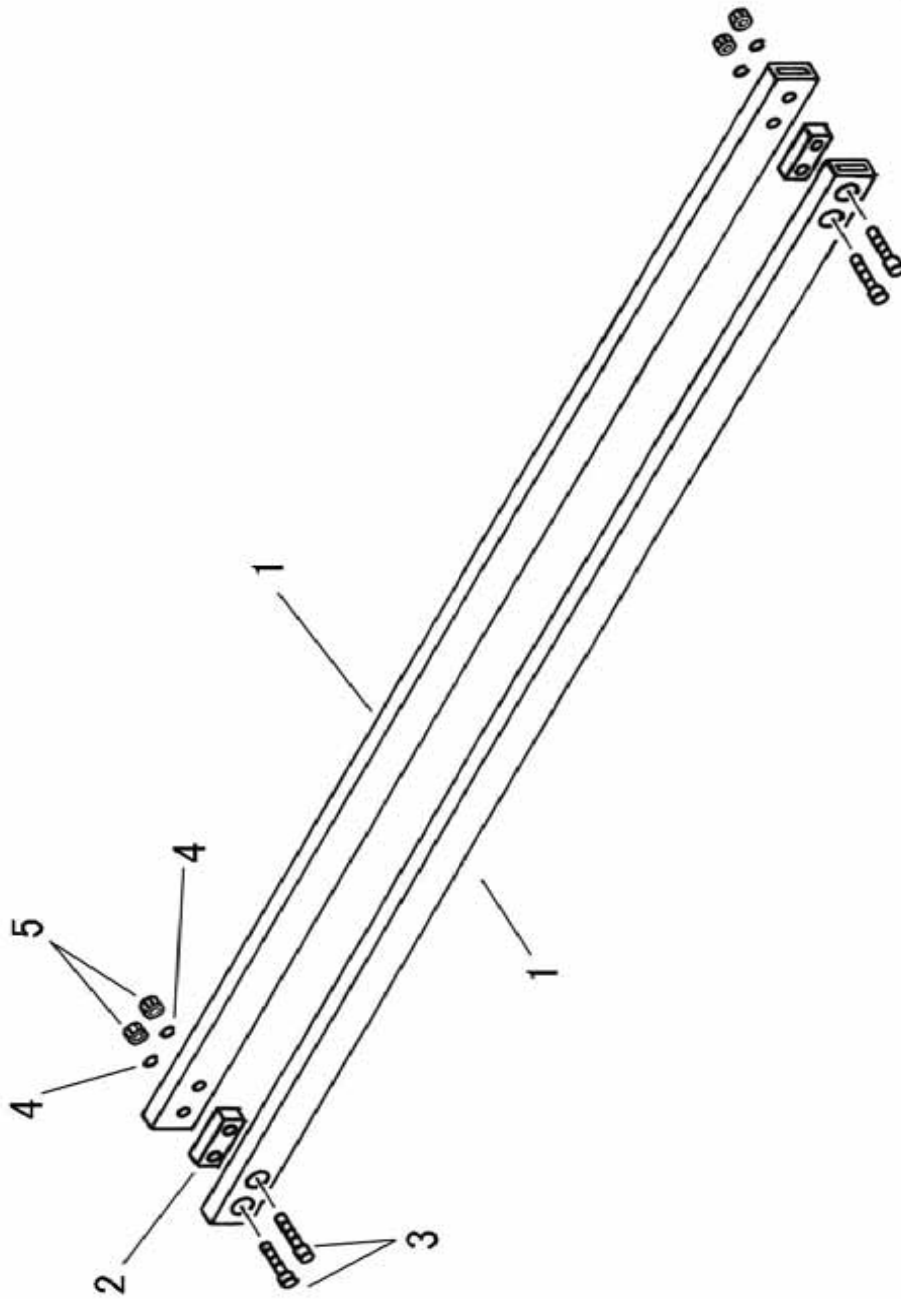
Line Puller MS-38L PULLER BODY



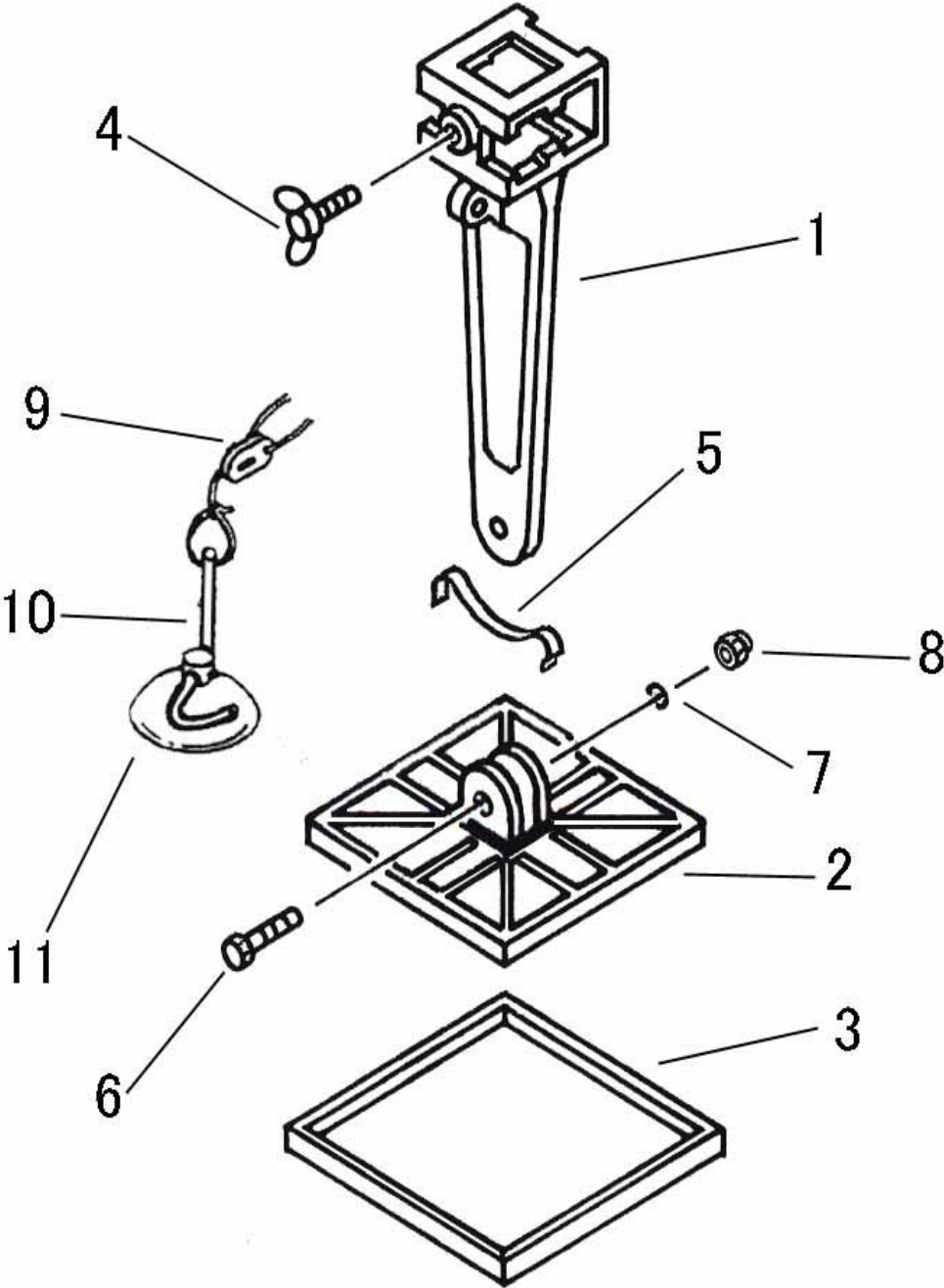
Line Puller MS-38L FRAME 1250



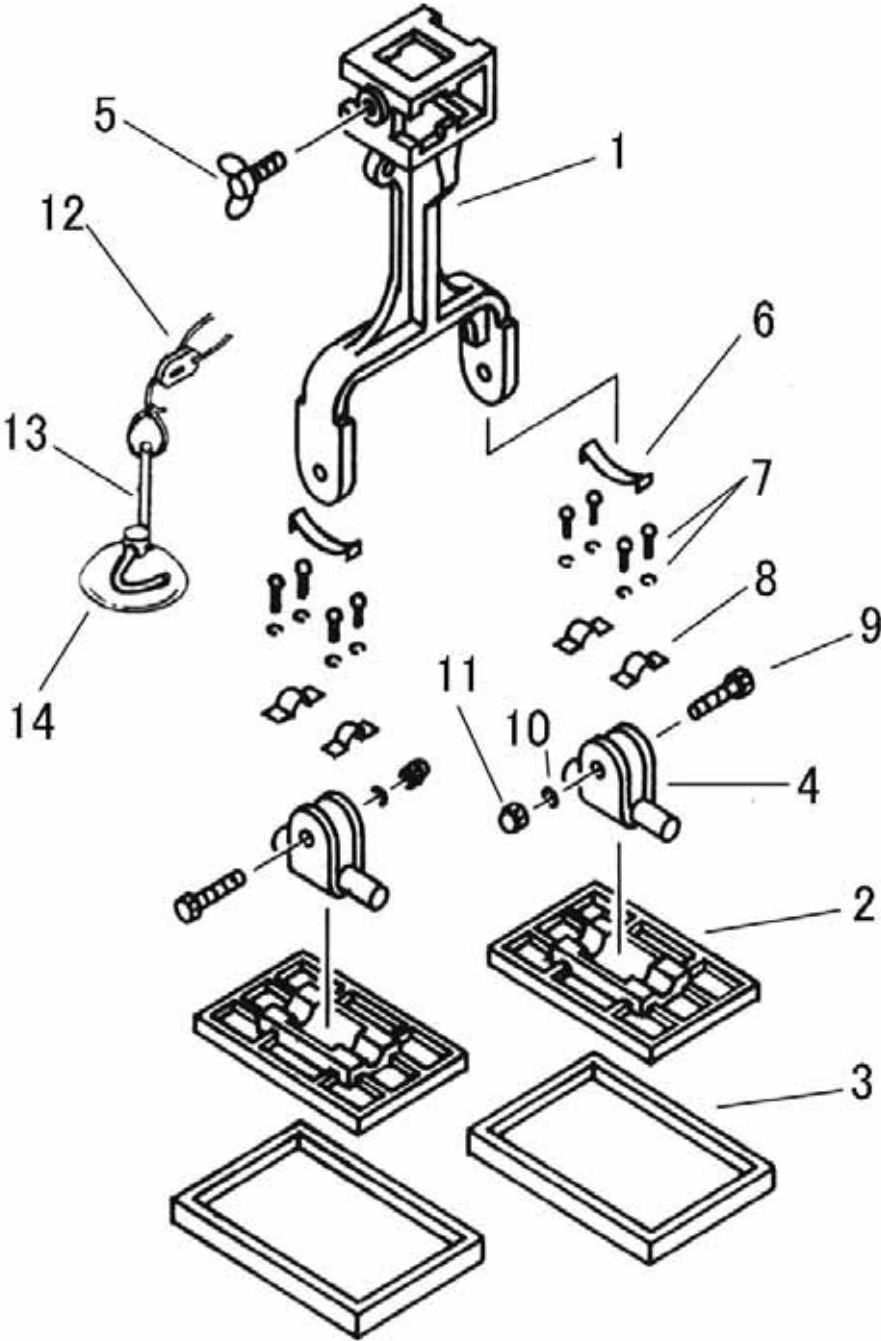
Line Puller MS-38L FRAME 1600



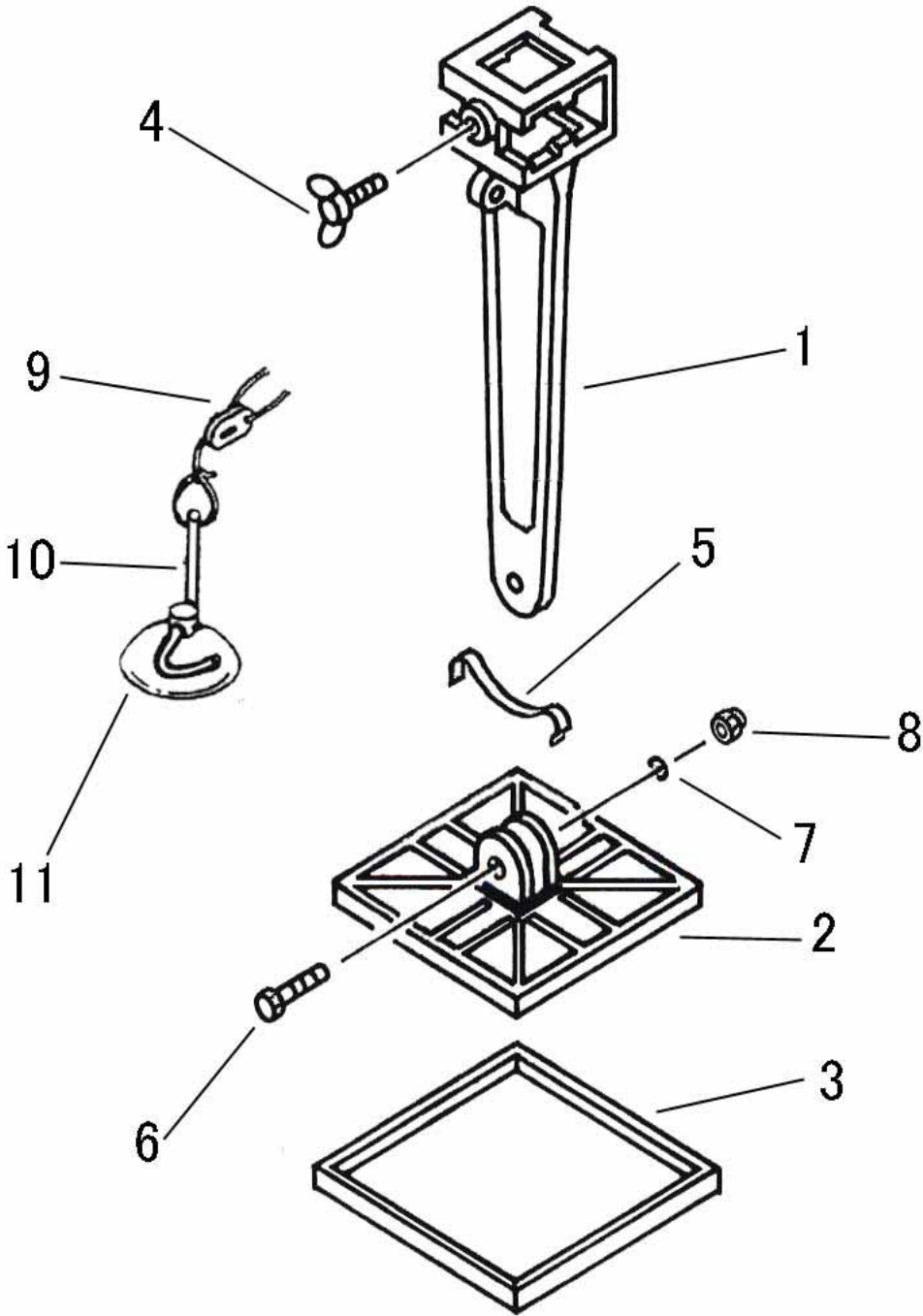
Line Puller MS-38L FLAT FOOT SHORT



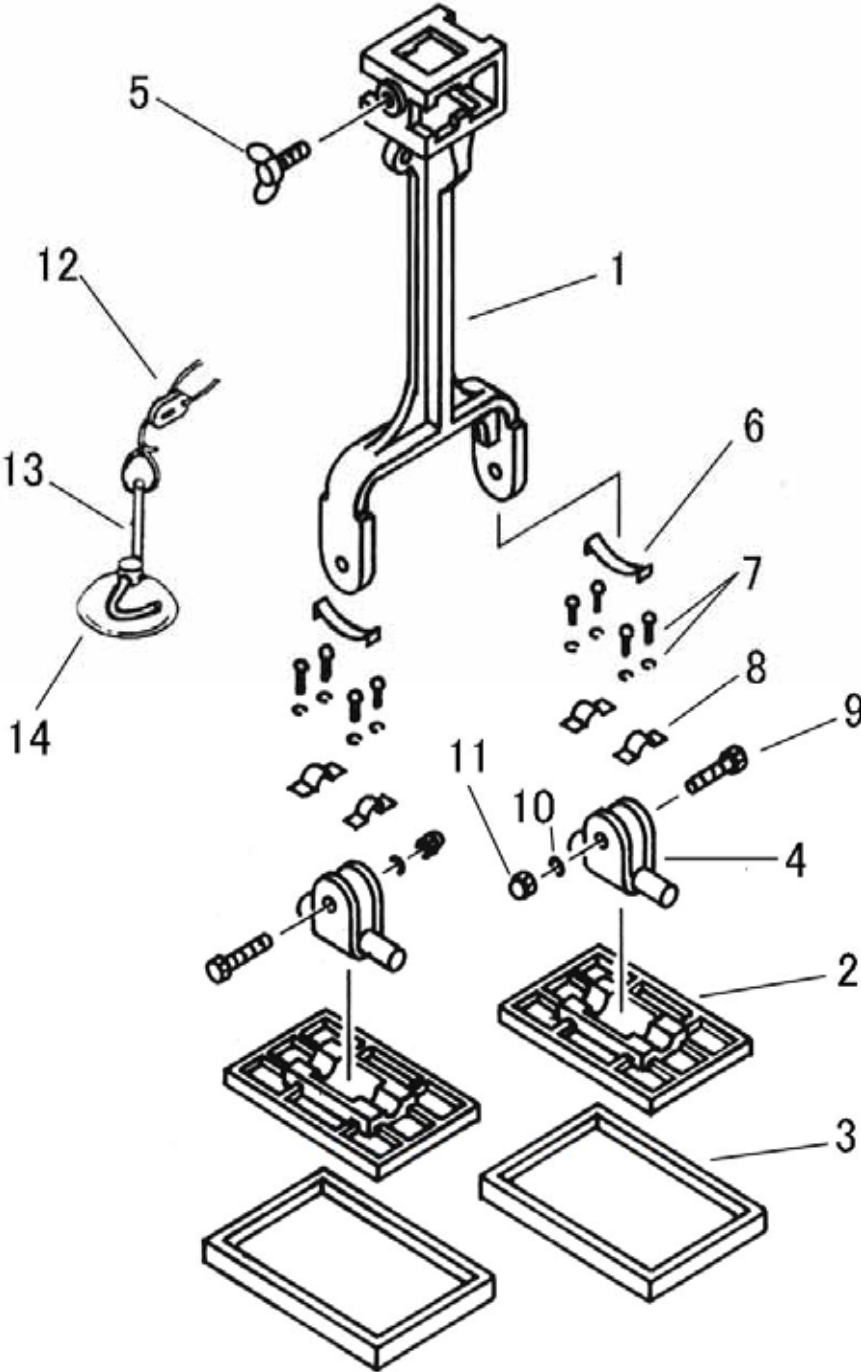
Line Puller MS-38L CORNER FOOT SHORT



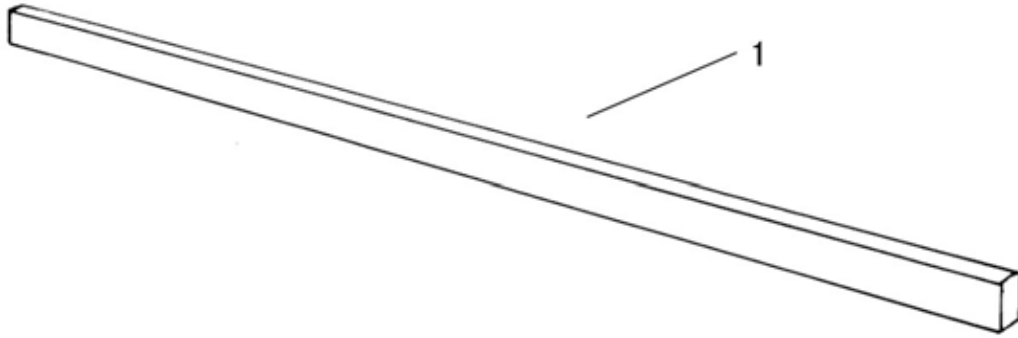
Line Puller MS-38L FLAT FOOT LONG



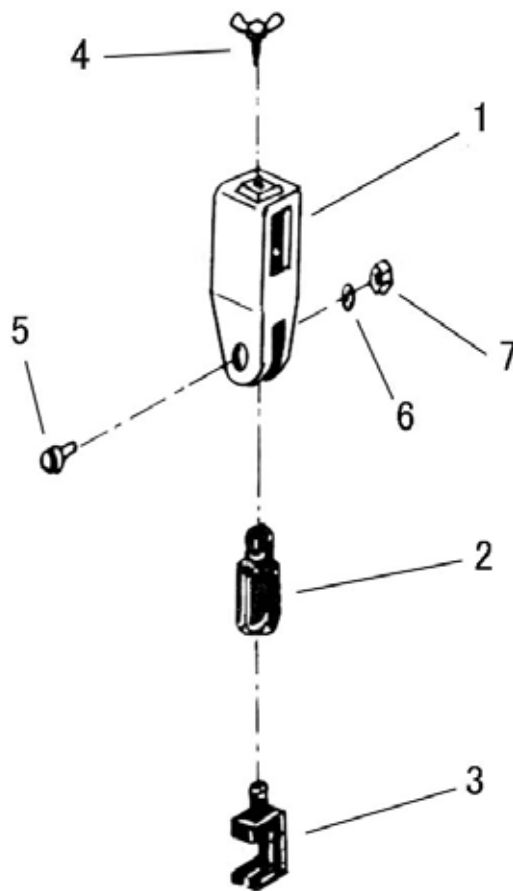
Line Puller MS-38L CORNER FOOT LONG



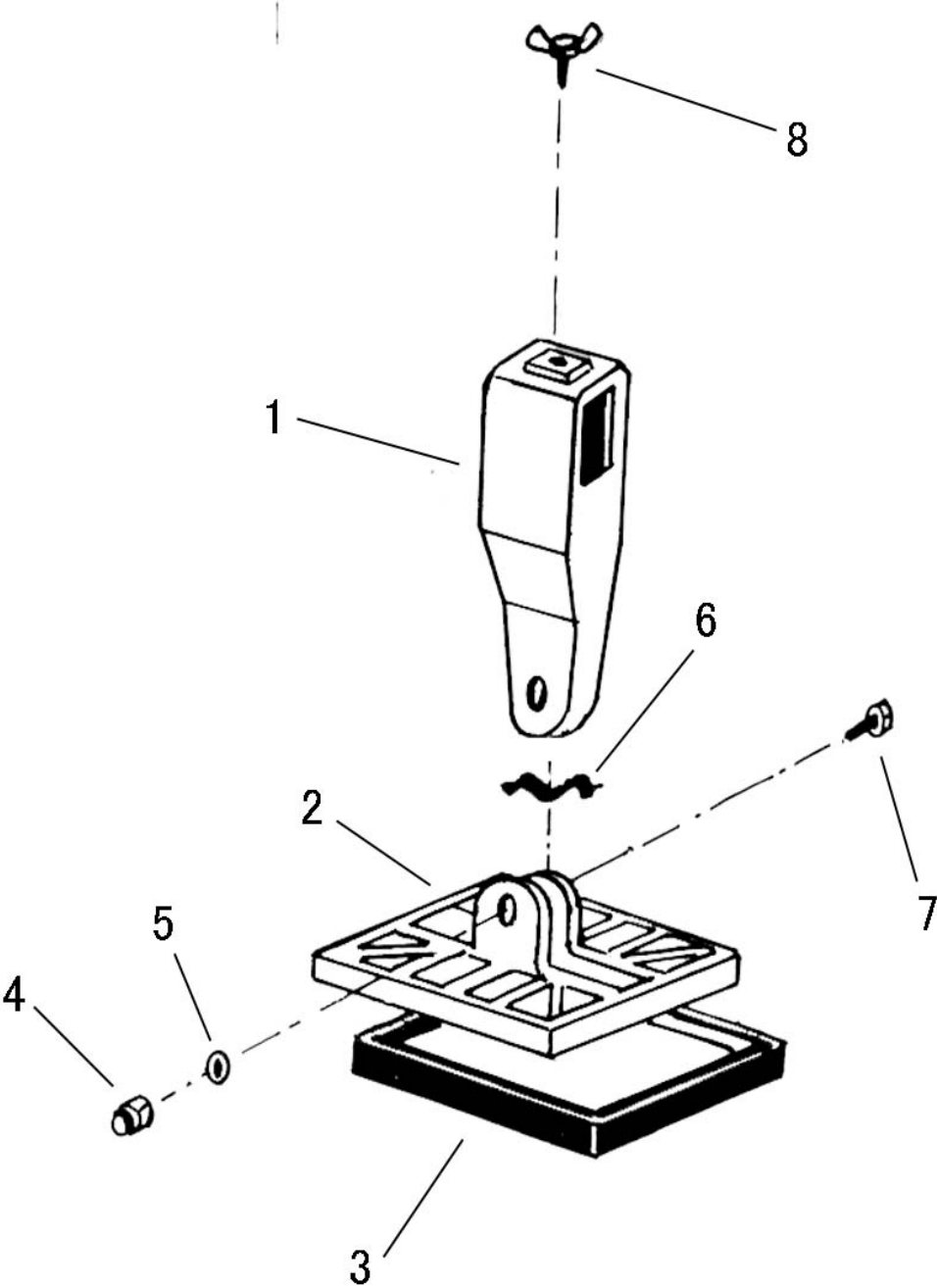
LEVER PULLER MS-13R



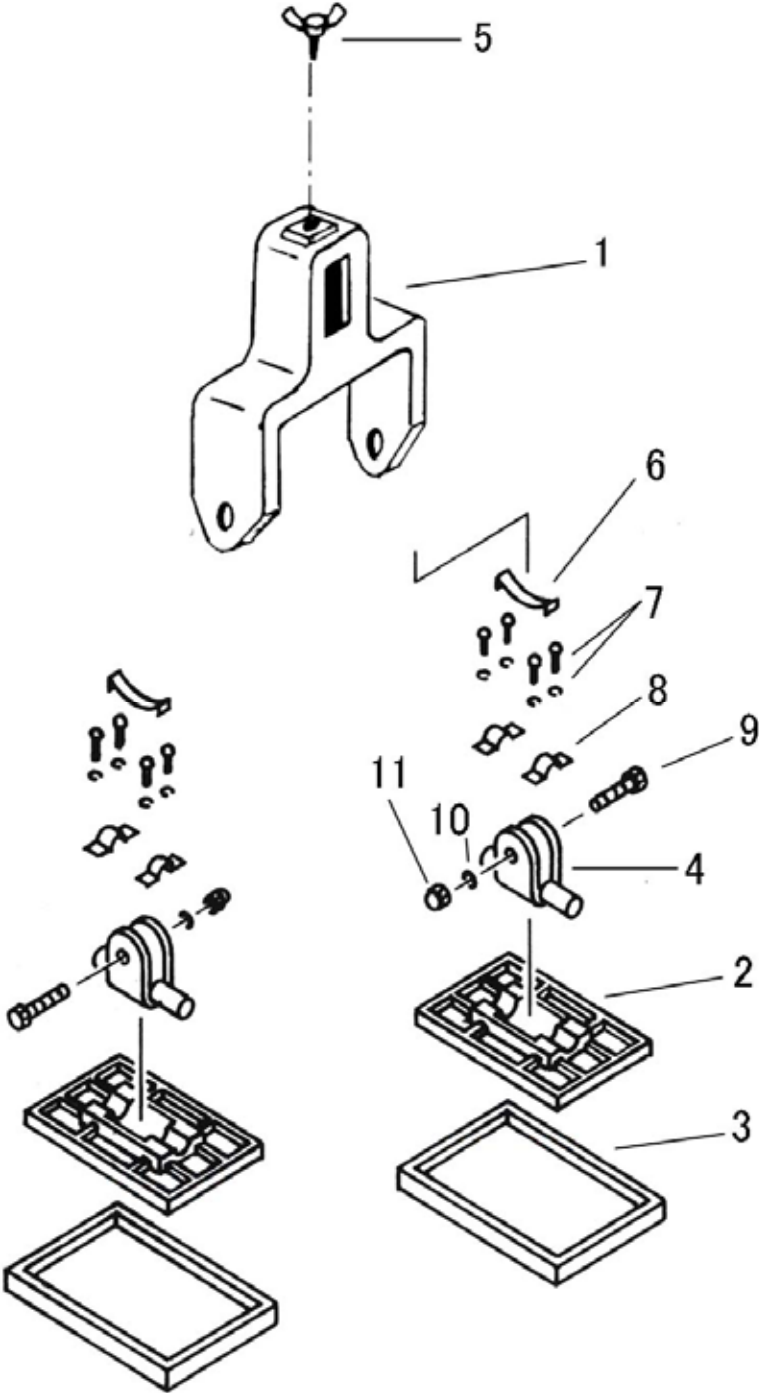
LEVER PULLER BODY



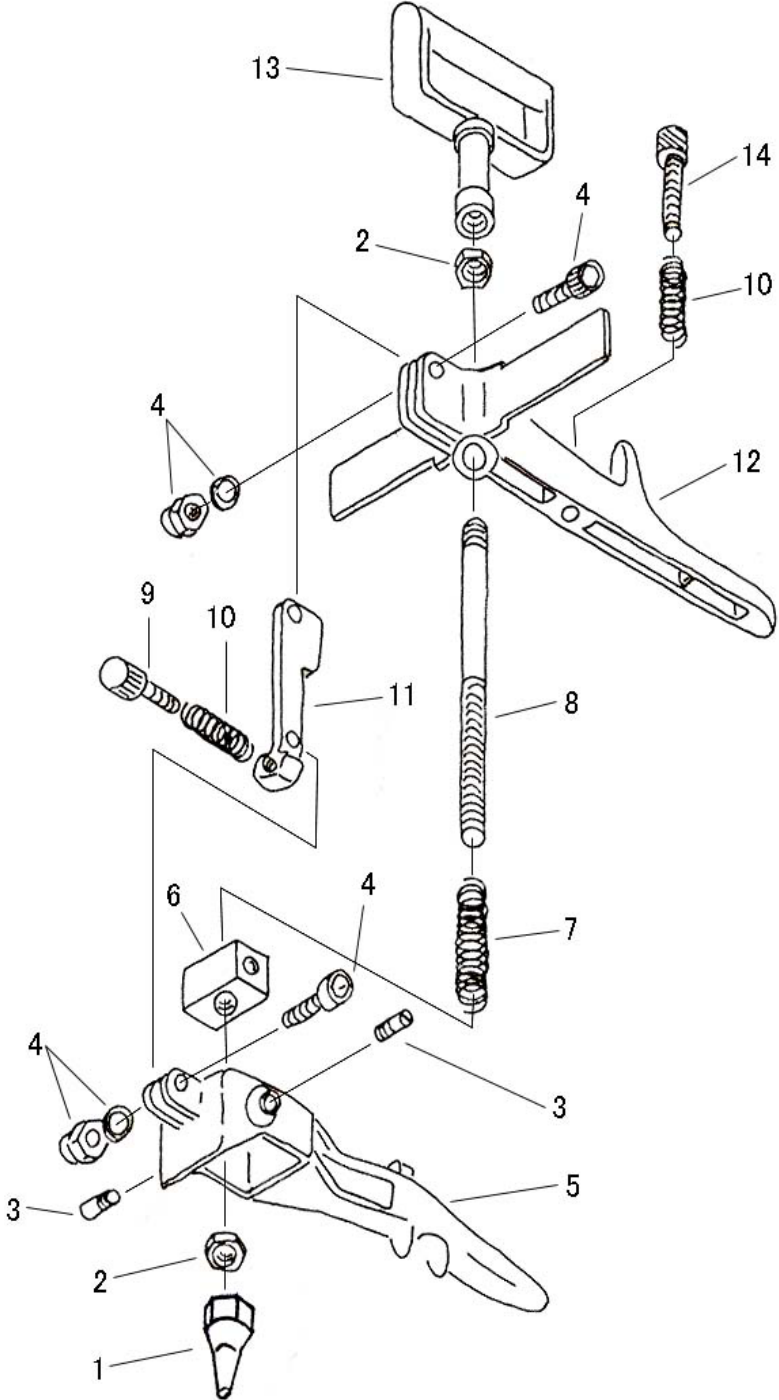
LEVER PULLER MS-13R FLAT FOOT



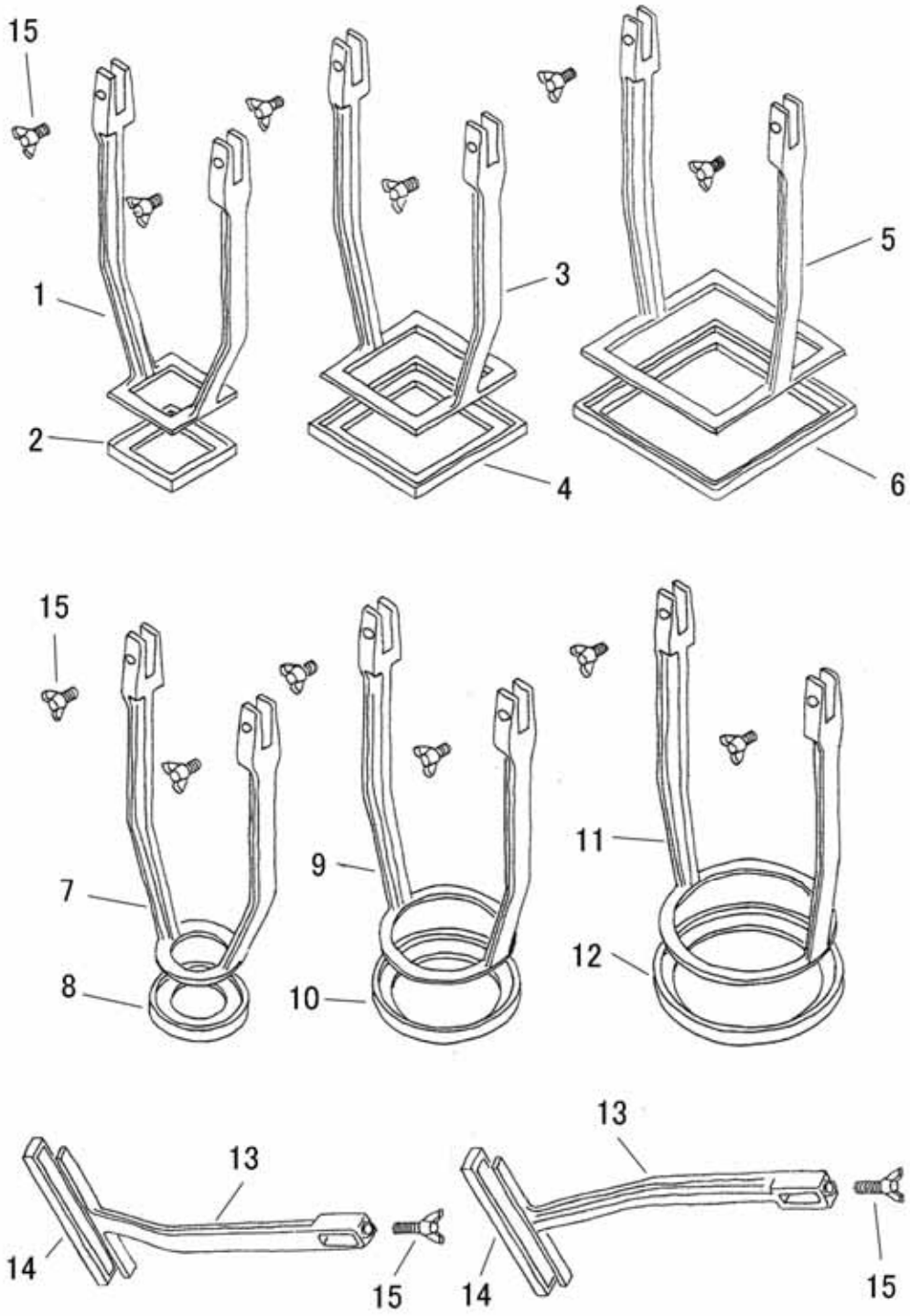
LEVER PULLER MS-13R CORNER FOOT



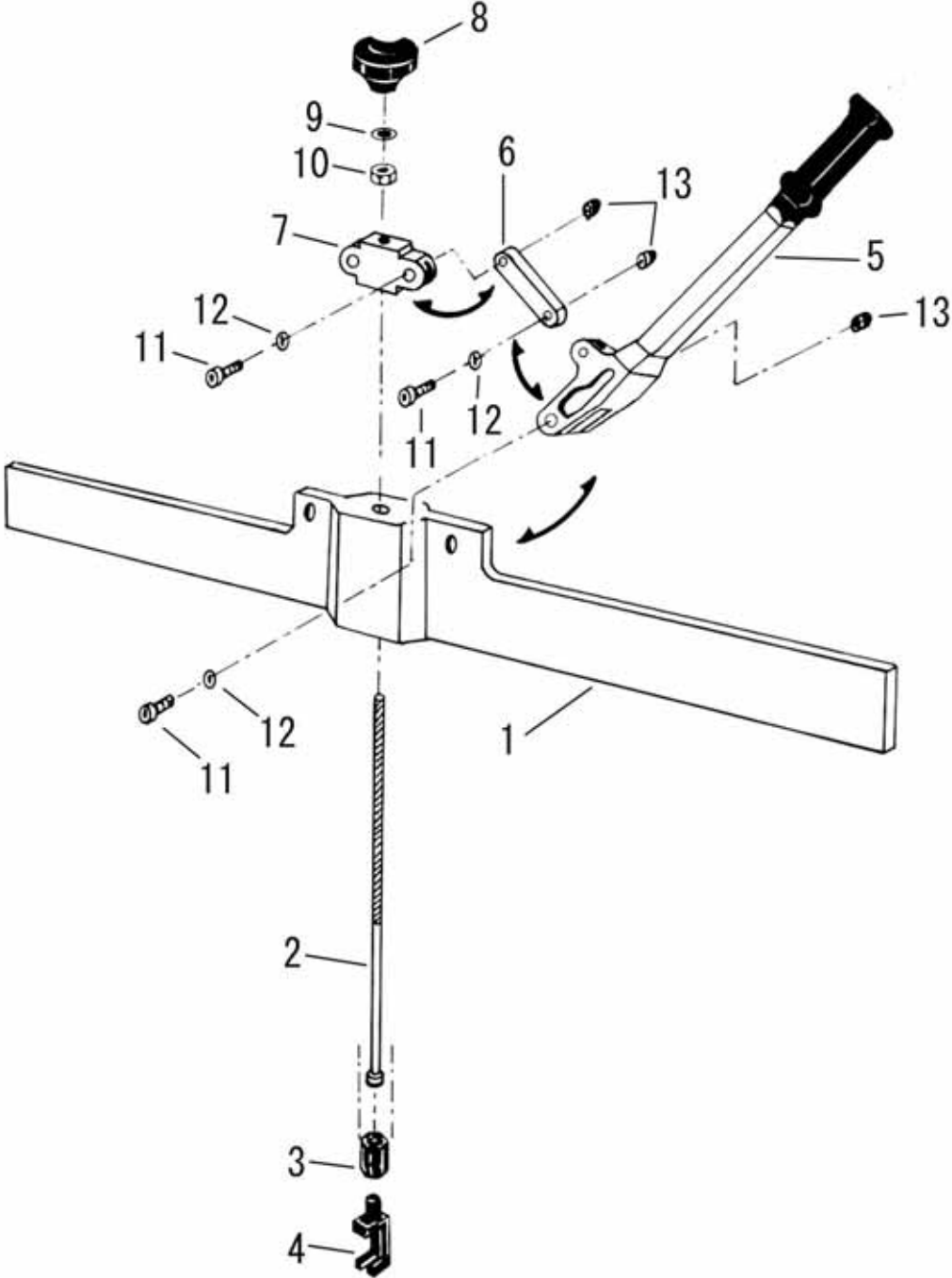
EASY PULLER MS-10Z/MS-23Z PULLER BODY



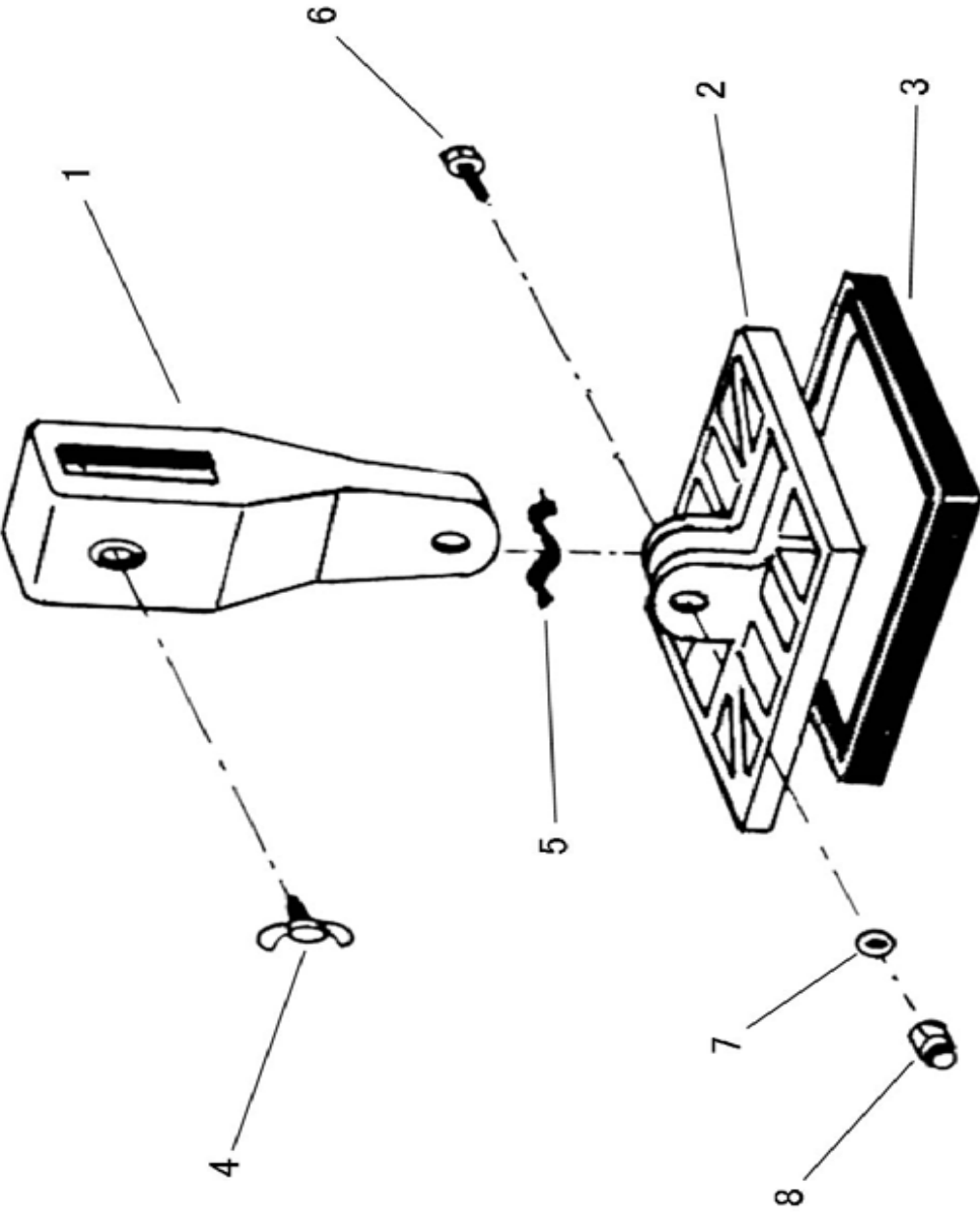
EASY PULLER MS-10Z/MS-23Z FRAME



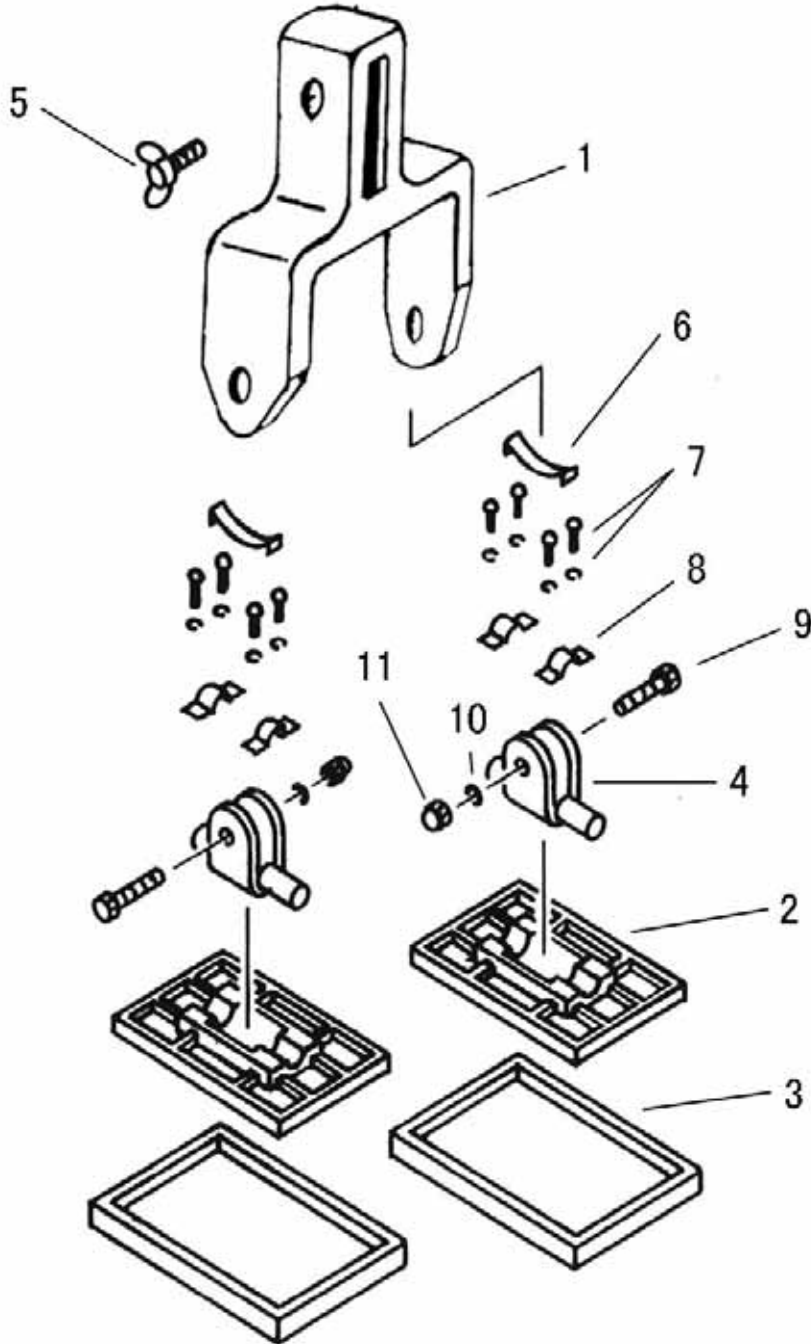
STRONG PULLER MS-17S PULLER BODY



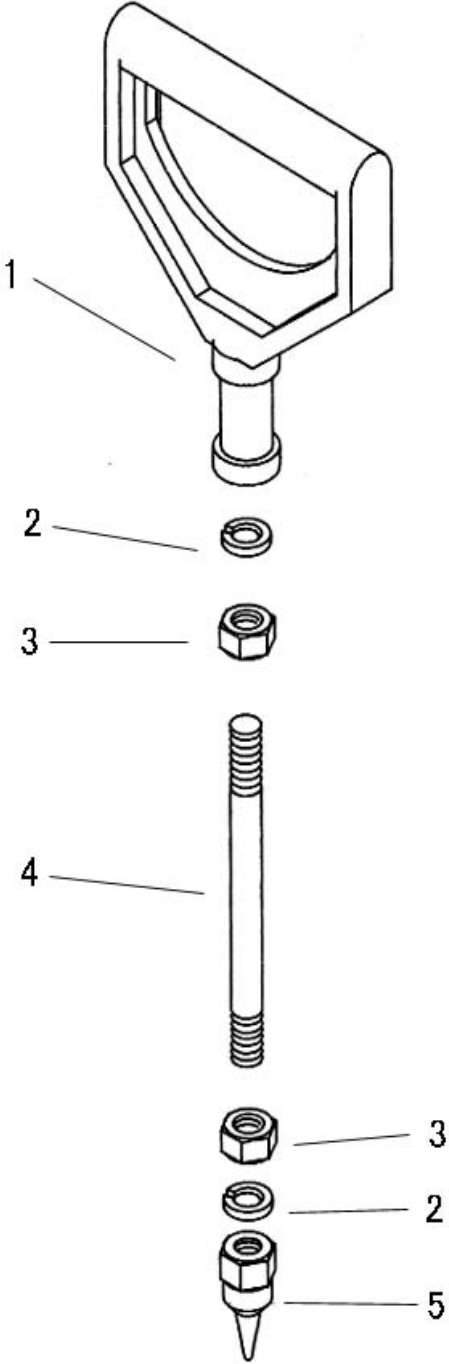
STRONG PULLER MS-17S FLAT FOOT



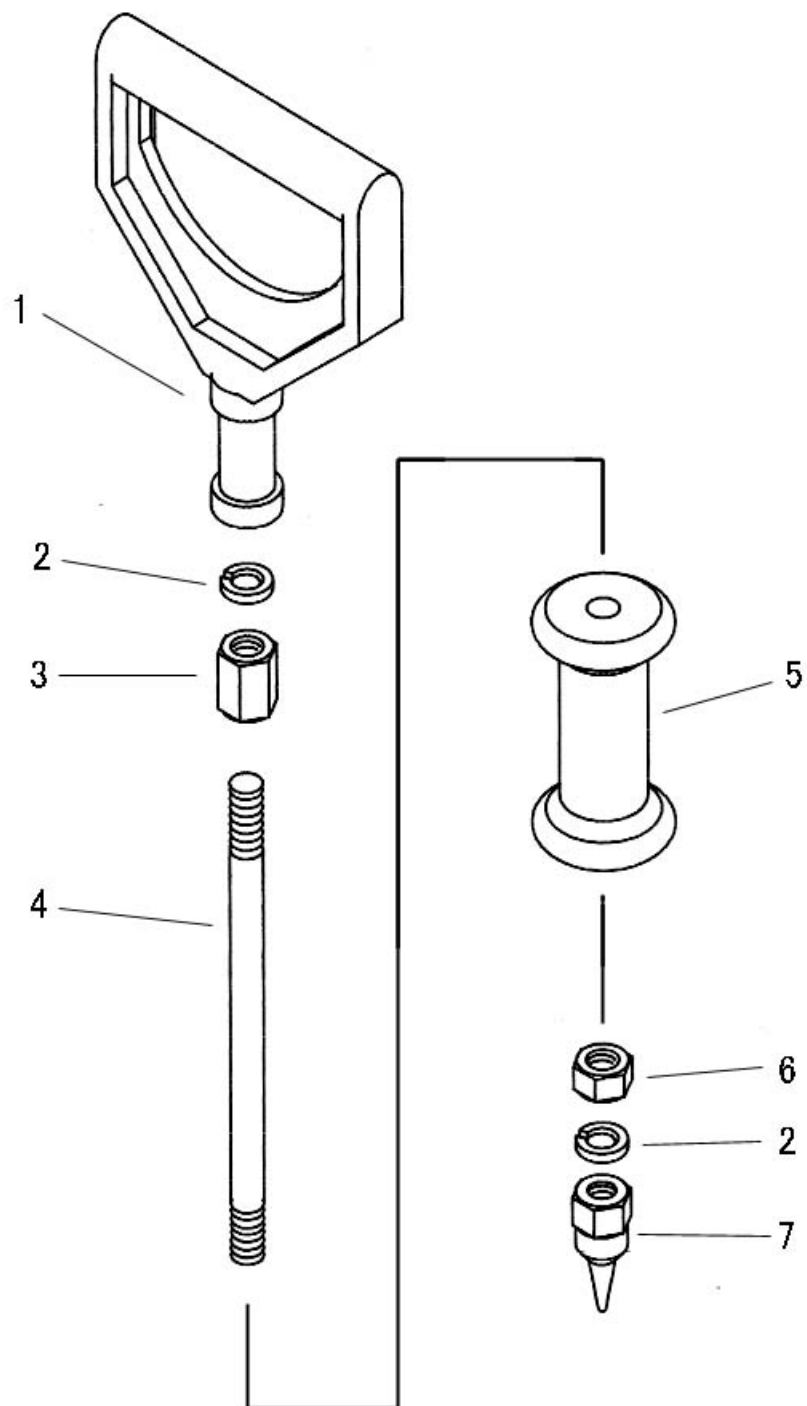
STRONG PULLER MS-17S CORNER FOOT



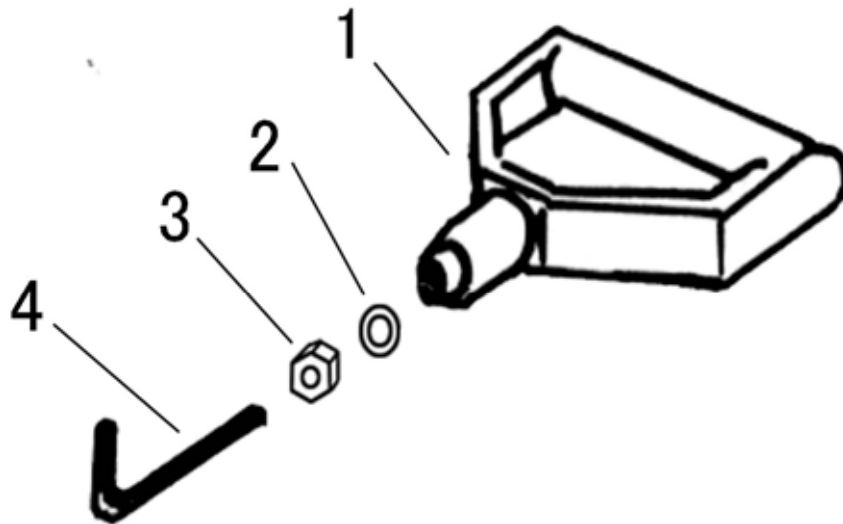
MIRACLE PET MS-P ONA-01



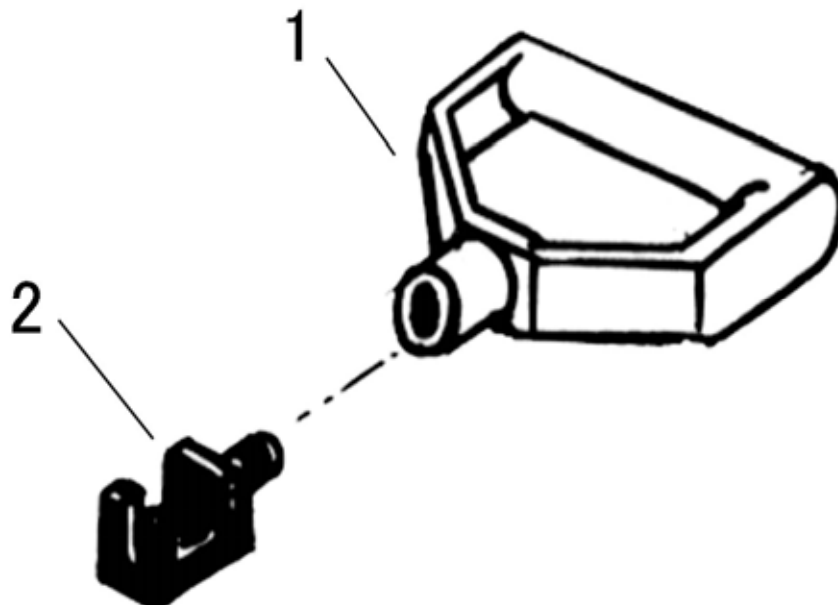
MIRACLE PET MS-P ONA-02,03,04



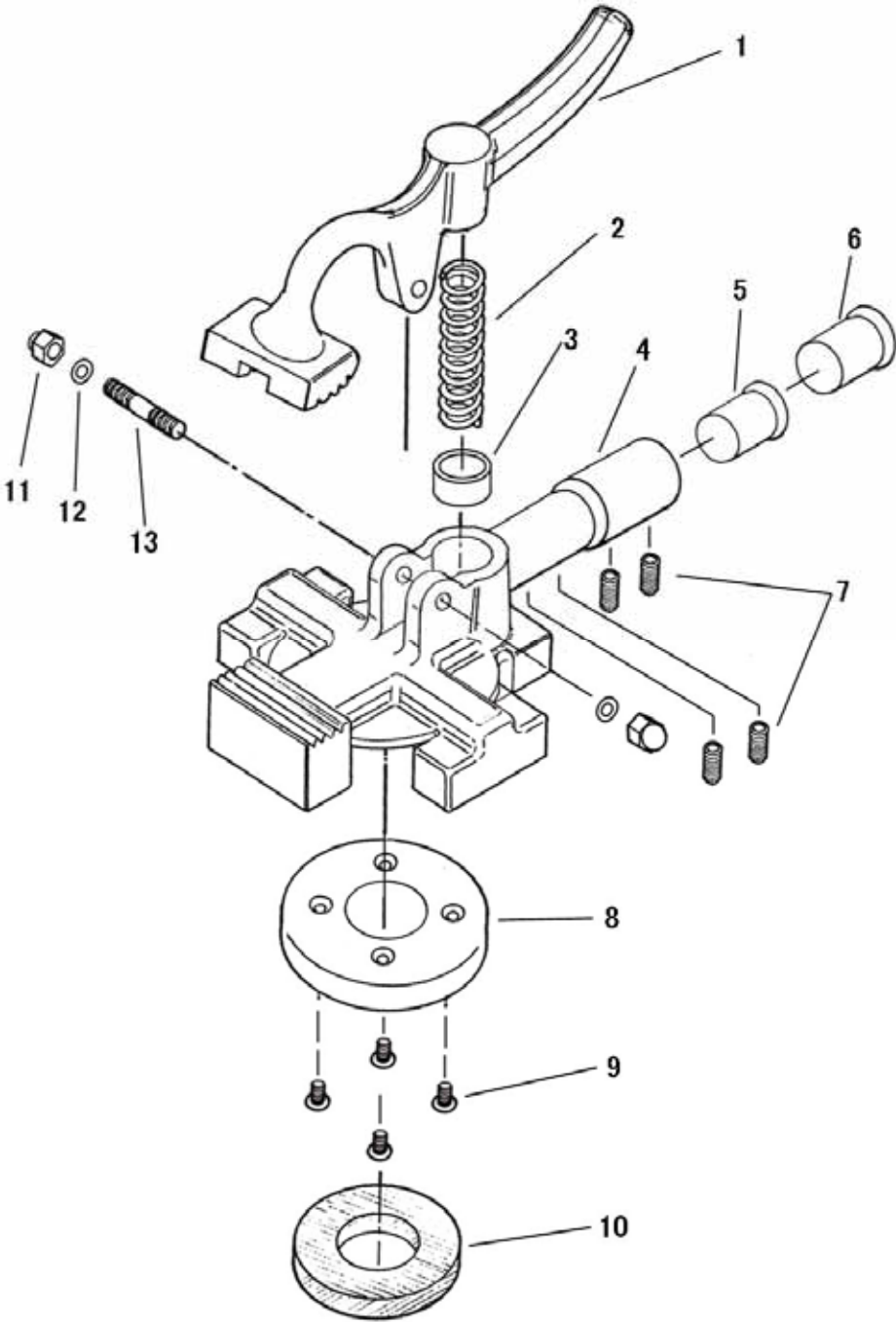
HAND PULLER MS-5N HAND PULLRE A



HAND PULLER MS-5N HAND PULLRE B



MAGNETIC EARTH CLAMP MA-1



CONNECTOR MS-C2/MS-C3

